

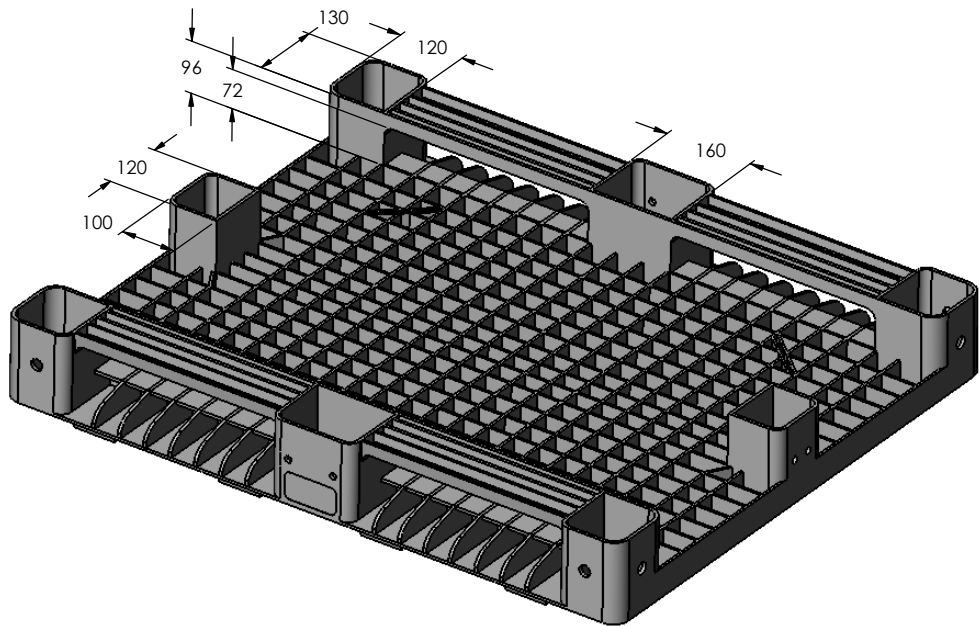
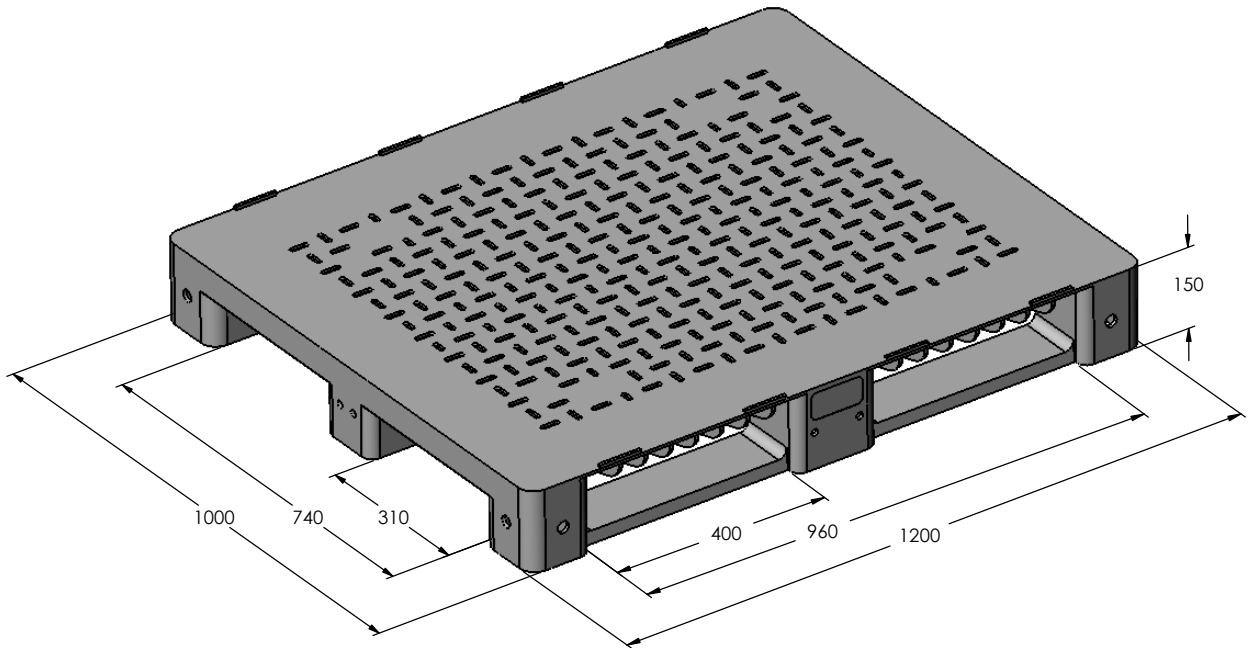
**DOLAV**®

DVIR-LAHAV PLASTIC PRODUCTS

KIBBUTZ DVIR D.N. HANEGGEV 85330 ISRAEL

PHONE: +972 8 9111700 FAX: +972 8 9918710

**PALLET TYPE :**  
**KB Pallet perforated**



CATALOG NO. 10K10FM%%